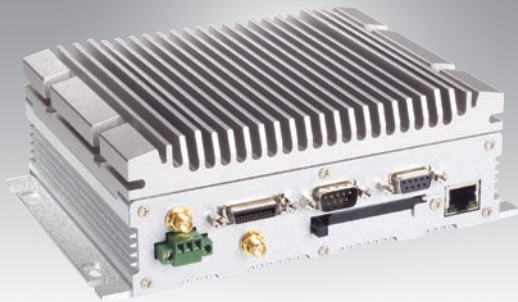


ARK-1388

Ultra Compact, In-Vehicle Solution with Safe Start/Shutdown and Wireless Functions

NEW



Features

- Fanless, ultra compact embedded box IPC
- Built-in Intel® Core™ 2 Duo ULV U7500 1.06 GHz / Celeron® M ULV 423 1.06 GHz CPU
- Startup and shutdown linked to car battery and ignition status
- ARK-1388 works with both 12-volt and 24-volt systems
- Optional built in WLAN/GPRS/EDGE//UMTS/HSDPA module
- Supports 50-channel GPS receiver
- Amplifier audio supports stereo 6W
- Supports VGA, LVDS dual independent display
- ISO-7637-2
- IP40

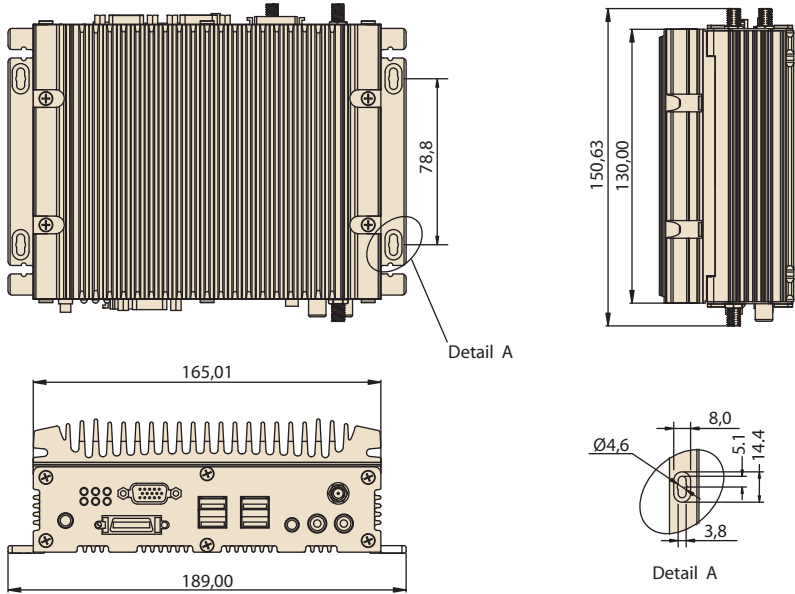


Specifications

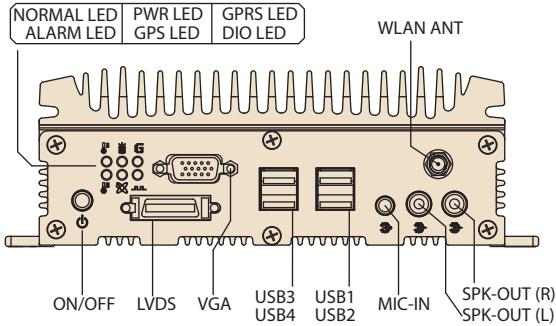
Processor System	CPU	Intel Core 2 Duo ULV	Intel Celeron M ULV
	Max. Speed	U7500 (1.06 GHz)	423 (1.06 GHz)
	Front Side Bus	533 MHz FSB	533 MHz FSB
	System Chipset	945GM + ICH7-M	533 MHz FSB
	BIOS	AWARD 4 Mbit, FWH	
Memory	Technology	DDR2 533/667 MHz (945GM)	
	Max. Capacity	2 GB	
	Socket	1 x 200-pin SODIMM	
Graphics	Chipset	Integrated graphics built in to Intel 945GM, Intel 3.5 Generation Integrated Graphics Engine	
	Interface	CRT interface 36-bit LVDS interface	
Ethernet	LAN	10/100 Mbps Ethernet controller, Supports Wake on LAN	
Audio	Amplifier	Output 6 W Amplifier stereo	
	Interface	Spkr-out (L&R), Mic-in, RCA connector	
I/O Interface	Serial Ports	1 x RS-232 port, 3 x RS-232/422/485 ports selectable by jumper and RS-485 support Auto flow control	
	USB Interface	4 x USB ports, USB 2.0 Compliant	
Communication	Wireless LAN	802.11b/g WLAN miniPCI module (optional)	
	GPS	Built-in u-blox LEA 5 GPS receiver, supports 50 channels	
	GPRS/EDGE/HSDPA	Wavecom Q2686, supports GSM/GPRS 850/900/1800/1900 MHz (optional); Wavecom Q2687, supports GSM/GPRS/EDGE (optional); Siemens HC25, supports UMTS/HSDPA (optional)	
Other	Digital I/O	6 bit, 4 x digital input with isolation and 2 x digital output with relay	
	Thermal Alarm	Blue LED Lighting	
	Watchdog Timer	255 level timer interval, setup by software	
Expansion	Mini PCI	1 Slot Mini PCI	
Storage	HDD	-	
	SSD	Supports CompactFlash socket for type I/II CompactFlash disk	
Software Support	Microsoft Windows	VISTA, XP Professional, XP Embedded, 2000, CE .NET 6.0	
Power Requirement	Power Type	AT/ATX	
	Power Input Voltage	9 V _{DC} ~ 32 V _{DC} , minimum support: 6 V _{DC} , cold crank of ISO-7637-2	
	Minimum Power Input	9 V @ 5.11 A, 12 V @ 3.84 A, 19 V @ 2.42 A, 35 V @ 1.32 A	
Power Consumption	Power Adapter	AC to DC, DC19 V/3.42 A, 65 W	
	Typical	15.72 W (Intel ULV Core 2 Duo U7500 1.06 GHz)	
	Max	46 W (Intel ULV Core 2 Duo U7500 1.06 GHz)	
SW Power Monitor	Power Ignition On Control	Power on delay, default 10 secs	
	Power Ignition Off Control	Power off delay, default 60 secs	
		Power hard off delay, default 180 secs	
Mechanical	Construction	Aluminum housing	
	Mounting	DIN-rail mounting; Desk/wall-mounting; VESA mounting	
	Dimensions (W x H x D)	189 x 63.76 x 130.6mm (7.44" x 2.51" x 5.14")	
	Weight	1.9 kg (4.18 lb)	
Environment	Operating Temperature	Intel Celeron M ULV423 1.06 GHz: -20 ~ 60° C (-4 ~ 140° F) Intel Core 2 Duo U7500 1.06 GHz: -20 ~ 55° C (-4 ~ 131° F)	
	Storage Temperature	-40 ~ 85° C (-40 ~ 185° F)	
	Relative Humidity	95% @ 40° C (non-condensing)	
	Vibration During Operation	With CompactFlash disk: 5 Grms, IEC 60068-2-64, random, 5 ~ 500 Hz, 1 Oct./min, 1hr/axis. / MIL-STD 514.5C-3	
	Shock During Operation	With CompactFlash disk: 50 Grms, IEC 60068-2-27, half sine, 11 ms duration. /MIL-STD 516.5	
	EMC	CE/FCC Class A, CCC, BSMI	
	Safety Certifications	UL, CCC, BSMI	
Vehicle	ISO-7637-2		

Dimensions

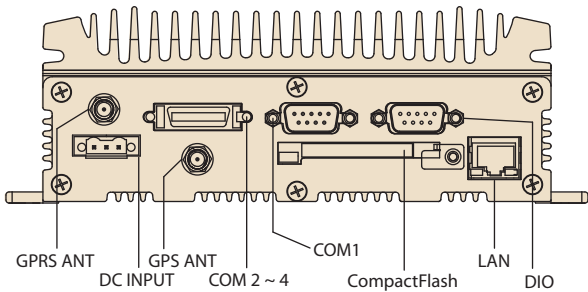
Unit: mm



Front Panel External I/O Mechanical Layout/Drawing



Rear Panel External I/O Mechanical Layout/Drawing



Packing List

Part Number	Description
-	1 x ARK-1388 unit
	1 x 3-Pole Phoenix to 2-Pole Phoenix connector
1750001782	1 x Antenna GPS Active 5v 38x40 with 5M SMA GA31B
	1 x One connector to three RS-232/422/485 ports cable
	1 x Driver/Utility CD/manual
	1 x Traditional Chinese user manual for CCC
	1 x China RoHS

Optional Items

Part Number	Description
1757000222	AC-to-DC Adapter DC19 V/3.42 A 65 W, with Phoenix Power Plug, 0 ~ 40° C for Home and Office Use
1700001947	Power Cable 2-pin 180 cm, USA type
1700001948	Power Cable 2-pin 180 cm, Europe Type
1700001949	Power Cable 2-pin 180 cm, UK Type
1700002141	Power Cable 2-pin PSE Mark 183 cm
9666K10000E	DIN-rail Mounting Kit
1960025333N00N	VESA Mounting plate
1750003222	802.11b/g 5dBi Dipole Antenna
968EMW0016	PURCH 802.11a/b/g Mini-PCI card
AMO-EDGE	AMO-Q2687 GSM/GPRS/EDGE module with antenna
AMO-HSDPA	AMO-HC25 UMTS/HSDPA module with antenna

Ordering Information

Part Number	Description
ARK-1388V-S0A1E	Intel Celeron M ULV423 1.06 GHz Ultra-compact embedded box IPC
ARK-1388V-S1A1E	Intel Core 2 Duo U7500 1.06 GHz Ultra-compact embedded box IPC