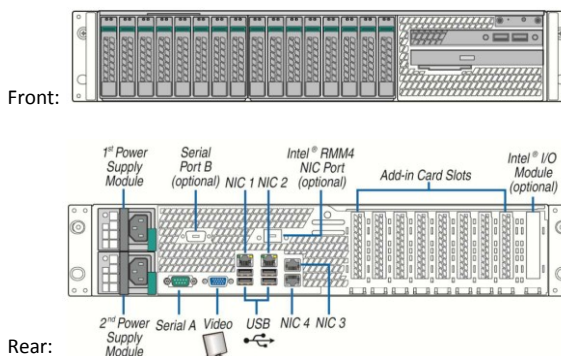


Server Končar - JANA IP



Chassis Form Factor	2U Rack (Rack Rails Included)
Chassis Dimensions	3.44" x 16.93" x 27.95" (2U 19" 70cm)
Max CPU	2
Sockets	Socket R (FCLGA2011)
Power Supply	2 x 750W AC Enterprise Redundant Power Supply
Redundant Fans	Supported
Included Items	Intel® Server System R2216IP4LHPC, Integrated 2U rack 2S server system including S2600IP4 Intel® Server Board , 16x 2.5" Hot-Swap drive carriers, 2x 750W Enterprise Redundant Power Supply, Redundant Cooling, 24-port SAS Expander, Intel(r) Remote Management Module 4, 6Gb SAS RAID Module RMS25CB080, Value Rails.
# of Hard Drives	5 x 300GB (10k rpm SAS Dual-port 6Gbps, 16MB)
Hard Drive Support	Supports 16 hot-swap 2.5" SAS/ SATA 6G drives standard
RAID Configuration	Hardware RAID 0,1,5,6,10,50,60 with embedded 1GB ECC DDR3 SDRAM, battery backup option
Memory Size	16 GB ECC Memory
Max Memory Size	512 GB (dependent on memory type)
Memory Types	DDR3 ECC UDIMM 1333, RDIMM 1600, LRDIMM 1333
# of DIMMs	16
# of Memory Channels	4
Expansions:	
PCIe x16 Gen 3	4
PCIe x4 Gen 2.x	1
Intel® IO Expansion Module	1 , PCIe x8 Gen 3
# of USB Ports	5
# of SATA Ports	10
# of Serial Ports	2
Integrated LAN	4x 1GbE
# of LAN Ports	4
Optical Drive	CD/DVD RW
Intel® Server Management	Yes
Intel® Remote Management Module	Yes, Intel RMM4 included
Integrated BMC with IPMI	IPMI 2.0
Intel® TPM Version	1.2
Intel® Intelligent Power Node Manager	Yes
Intel® On-Demand Redundant Power	Yes
Launch Date	Q1'12 (Expected Discontinuance Q1'17)

Limited 3-year Warranty	Yes (Extended Warranty Available)
Processor	2 x E5-2620 (default, other Xeon E5-26xx processors available as option)
# of Cores	6
# of Threads	12
Clock Speed	2 GHz
Max Turbo Frequency	2.5 GHz
Intel® QPI Speed	7.2 GT/s
# of QPI Links	2
Instruction Set	64-bit
Instruction Set Extensions	AVX
Embedded Options Available	Yes
Lithography	32 nm
Scalability	2S Only
Max TDP	95 W

Advanced Technologies:	
Intel® Turbo Boost Technology	2.0
Intel® vPro Technology	Yes
Intel® Hyper-Threading Technology	Yes
Intel® Virtualization Technology (VT-x)	Yes
Intel® Virtualization Technology for Directed I/O (VT-d)	Yes
Intel® Trusted Execution Technology	Yes
AES New Instructions	Yes
Intel® 64	Yes
Idle States	Yes
Enhanced Intel SpeedStep® Technology	Yes
Intel® Demand Based Switching	Yes
Thermal Monitoring Technologies	Yes
Intel® Flex Memory Access	Yes
Execute Disable Bit	Yes

